

Grau Product Catalogue

Europe



Edition 1



Grau
Distributed by Haldex

Introduction

This catalogue provides an overview of Grau products for the European aftermarket. They include air tanks and saddles, fittings, air coils and air tubes as well as electrical coils.

Durable and reliable, Grau products are thoroughly tested for compliance with Haldex standards and come with a full warranty.

This catalogue presents detailed information about each product range for easy identification of required items. Inclusion or exclusion of an item has no bearing on its availability. For availability, please contact Haldex directly.

If you cannot find an item:

- › Check Findex at www.haldex.com/Findex
- › Contact Haldex directly



Findex

We hope you find this catalogue useful. We welcome all feedback and suggestions for improvement.

Thank you for choosing Haldex.



Plugs and sockets		Page	Air coils and air tubes		Page
ABS system		8	Air coils		20
EBS system		9	Air tubes (polyamide)		
			PA12 PHL air tubes		21
			PA12 HIPHL air tubes		22
			PA1012 PHL air tubes		24
			PA1012 PHL air tubes		25
Air tanks and saddles		Page			
Aluminium air tanks		12			
Steel air tanks		14			
Saddles for air tanks		16			



Fittings	Page
RTC push-in fittings	
Adjustable elbow stud	28
Adjustable tee stud	29
Straight terminal	30
Swivel elbow stud - Union - Tee union	31
Tool	32

Fittings	Page
Push-in fittings	
Straight terminal	33
Swivel	36
Swivel stud	37
Pivoted stud	38
Pivoted adaptor	41
Pivoted adaptor threaded	43
Bulkhead union	45
Stud bulkhead terminal	46
Threaded adaptor bulkhead	47
Bulkhead elbow	49
Accessories	50



PLUGS AND SOCKETS

ABS system	8
EBS system	9



Plugs and sockets

Plugs and sockets connect trucks and trailers. Grau offers a wide range of high quality truck and trailer electrical products that meet a number of standards. Various applications such as 7 or 15 poles, ABS, EBS, etc. for coils, sockets and plugs are available.

Part number	Type	Application	System	Colour	Included	Fuse	Voltage (V)	Note
042572209	pin	power ISO 7638	universal	-		fused	12-24	male, 1.5mm
302002011	plug		universal	-	pins x7		12-24	c/w boot
42572309	socket cover	power ISO 7638	universal	-	-	-	-	
950364072	socket	power ISO 7638	MODAL / MODULAR	green	pins x5 (crimp)	fused	24	5x1.5mm ²
950364436	socket	power ISO 7638	universal	blue	pins x7 (screw)	fused	24	(3/5)x1.5mm ² + 2x4mm ²



950364072

Part number	Type	Application	Length (m)	Included	Weight (kg)	Note
950610020	socket	power ISO 7638	-	pins x7 (crimp)	0.37	for EB+
950610030	parking socket	power ISO 7638	-	pins x7	0.12	
950610040	eco flex coil	power ISO 7638	3.5	pins x7	1.162	EBS, 5x1,5mm ² + 2x4mm ²
950610050	eco flex coil	power ISO 12098	3.5	pins x15	-	
950611030	eco flex coil	power ISO 1185 (24N)	3.5	pins x7	-	6x1,5mm ² + 1x2,5mm ²
950611035	eco flex coil	power ISO 3731	3.5	pins x7	-	
950611040	adaptor	eco flex coil	3.5	pins x15	-	for ISO 12098, ISO 1185, ISO 3731



950610020



950610030



950611030



950611035



950610050



AIR TANKS

Aluminium air tanks	12
Steel air tanks	14
Saddles for air tanks	16



Aluminium air tanks

Aluminium air tanks offer safe storage of pressurised air. Lightweight aluminium tanks guarantee more than 60 percent less vehicle tare weight. And the absence of rust and iron particles means better cleaning in the pneumatic cycle.

Part number	Type	Material	Capacity (L)	Diameter (mm)	Length L (mm)	Length L1 (mm)	Port	Standard	Weight (kg)
0301020615C	C (2+1+1 = 4 ports)	aluminium	10	206	375	259	M22x1,5	EN286-2	2.25
0302020615C	C (2+1+1 = 4 ports)	aluminium	20	206	700	563,5	M22x1,5	EN286-2	3.9
0302024615C	C (2+1+1 = 4 ports)	aluminium	20	246	510	370	M22x1,5	EN286-2	3.65
0303024615C	C (2+1+1 = 4 ports)	aluminium	30	246	730	568	M22x1,5	EN286-2	5
0304024615C	C (2+1+1 = 4 ports)	aluminium	40	246	945	805	M22x1,5	EN286-2	6.4
0304027615C	C (2+1+1 = 4 ports)	aluminium	40	276	766	612	M22x1,5	EN286-2	5.75
0304031013C	C (2+1+1 = 4 ports)	aluminium	40	310	629	427	M22x1,5	EN286-2	5.6
0306027613C	C (2+1+1 = 4 ports)	aluminium	60	276	1111	957	M22x1,5	EN286-2	8.3
0306031013C	C (2+1+1 = 4 ports)	aluminium	60	310	907	707	M22x1,5	EN286-2	7.7
03006031013U	U (1+1+1+2 = 5 ports)	aluminium	60	310	898	690	M22x1,5	EN286-2	7.8
0306039612C	C (2+1+1 = 4 ports)	aluminium	60	396	583	316	M22x1,5	EN286-2	6.7
0308031013C	C (2+1+1 = 4 ports)	aluminium	80	310	1180	980	M22x1,5	EN286-2	9.7
0308039612C	C (2+1+1 = 4 ports)	aluminium	80	396	748	501	M22x1,5	EN286-2	8.6
03010039612C	C (2+1+1 = 4 ports)	aluminium	100	396	913	671	M22x1,5	EN286-2	10
03012039612C	C (2+1+1 = 4 ports)	aluminium	120	396	1074	807	M22x1,5	EN286-2	11.8



0301020615C



0306031013C



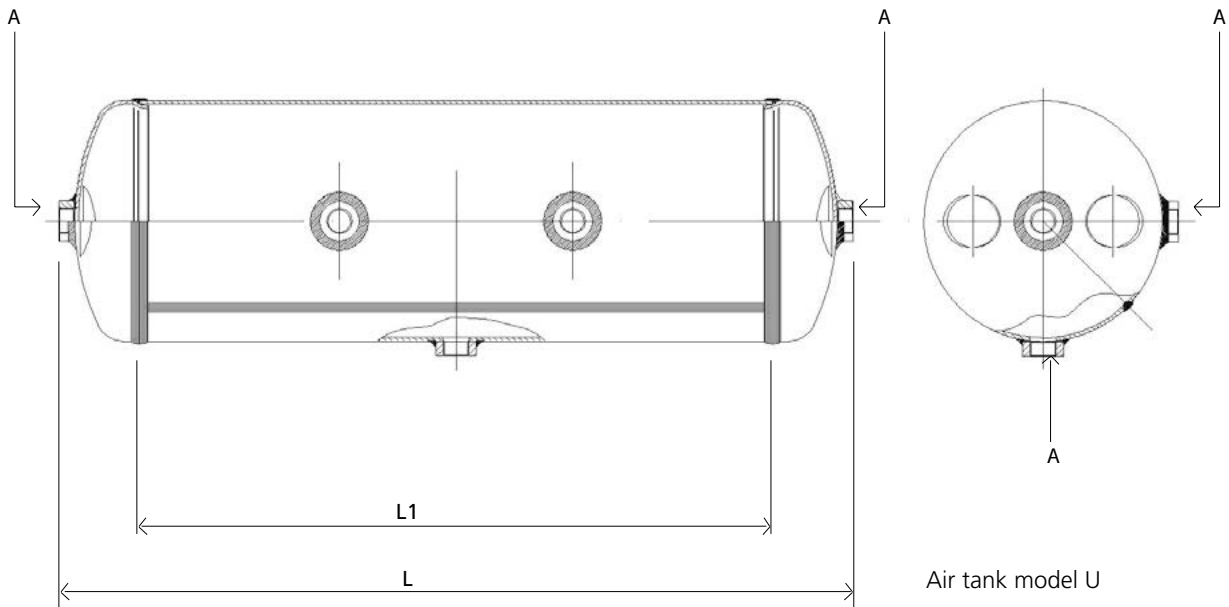
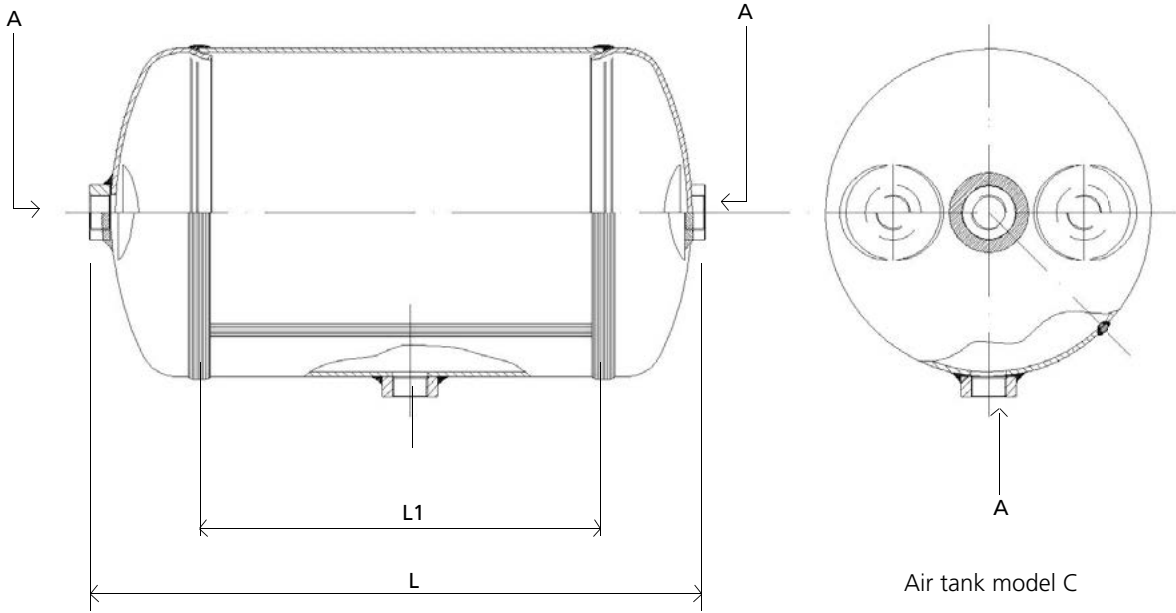
0306039612C



0304031013C



0308031013C



Steel air tanks

Steel air tanks offer safe storage of pressurised air. They are powder-coated inside and out. They are renowned for longevity and resistance to corrosion. They offer not only top safety and maximum service life but also, due to their powder coating, satisfy the highest quality requirements of leading European vehicle manufacturers.

Part number	Type	Material	Capacity (L)	Diameter (mm)	Length L (mm)	Length L1 (mm)	Port	Standard	Weight (kg)
030350109	C (2+1+1 = 4 ports)	steel	8,5	206	315	190	M22x1,5	EN286-2	4
030350209	C (2+1+1 = 4 ports)	steel	10	206	370	245	M22x1,5	EN286-2	4.5
030363609	C (2+1+1 = 4 ports)	steel	15	206	530	405	M22x1,5	EN286-2	6.3
030350509	C (2+1+1 = 4 ports)	steel	20	206	690	565	M22x1,5	EN286-2	7.75
030350609	C (2+1+1 = 4 ports)	steel	20	246	500	361	M22x1,5	EN286-2	7.5
030350909	C (2+1+1 = 4 ports)	steel	30	246	720	571	M22x1,5	EN286-2	10
032253013S	U (1+1+1+2 = 5 ports)	steel	30	246	685		M22x1,5	EN286-2	10
030351509	C (2+1+1 = 4 ports)	steel	40	246	940	773	M22x1,5	EN286-2	12.8
030351209	C (2+1+1 = 4 ports)	steel	40	276	760	605	M22x1,5	EN286-2	12.4
030362009	C (2+1+1 = 4 ports)	steel	40	310	620	405	M22x1,5	EN286-2	14.5
032304513S	U (1+1+1+2 = 5 ports)	steel	45	300	700		M22x1,5	EN286-2	14.5
030351809	C (2+1+1 = 4 ports)	steel	60	246	1352	1185	M22x1,5	EN286-2	18.5
030351609	C (2+1+1 = 4 ports)	steel	60	276	1110	949	M22x1,5	EN286-2	17.5
032306013S	U (1+1+1+2 = 5 ports)	steel	60	300	888		M22x1,5	EN286-2	17
030360809	C (2+1+1 = 4 ports)	steel	60	310	895	712	M22x1,5	EN286-2	17.8
030351709	C (2+1+1 = 4 ports)	steel	60	396	580	333	M22x1,5	EN286-2	18.5
030352009	C (2+1+1 = 4 ports)	steel	80	396	750	503	M22x1,5	EN286-2	22.9
030352209	C (2+1+1 = 4 ports)	steel	100	396	915	706	M22x1,5	EN286-2	27.4



030350209



032253013S



032306013S



030360809



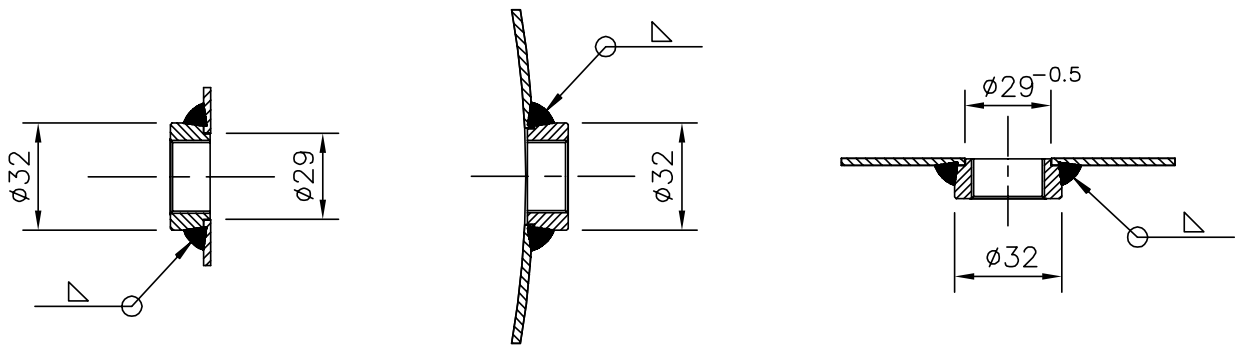
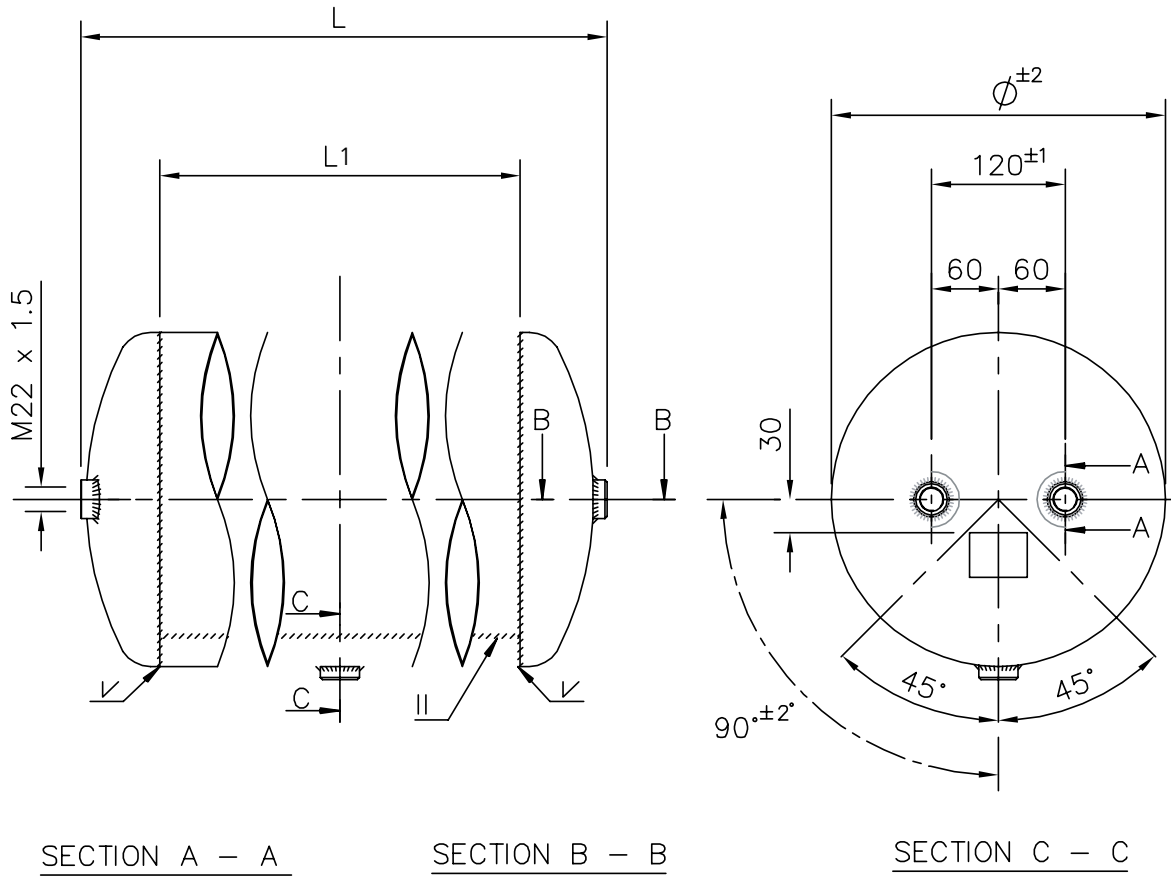
030351709



030352009



030352209



Part number	Type	Diameter (mm)	R	A	B	E	H	J	L	P	Note
030406005	V-shaped	206	103	80	30	218	265	255	275	-	
030406007	V-shaped	246	123	80	30	258	258	292	325	-	
030406001	V-shaped	276	138	80	30	288	288	320	361	-	
030406003	V-shaped	310	155	80	30	323	323	357	386	-	
030406004	V-shaped	396	198	80	30	409	409	444	465	-	
030406009	Italian V-shaped	310	155	82	30	45	45	357	382	-	U bolt M8 / 1 support / 2 flat washers
030406008	Italian V-shaped	396	198	80	30	45	45	444	465	-	U bolt M8 / 1 support / 2 flat washers
032200001S	standard	200	100	90	-	-	-	-	280	-	kit of 2
032400001S	standard	246	125	55	-	-	-	-	300	-	kit of 2
032753001S	standard	300	150	50	-	-	-	-	347	-	kit of 2
032773000S	standard	300	150	70	-	-	-	-	370	-	kit of 2
032500001S	standard	396	200	110	-	-	-	-	506	-	kit of 2
0307020600	foldable strap	206	-	130	65	11×16	11×16	-	-	230	kit of 2
0307024600	foldable strap	246	-	180	90	11×16	11×16	-	-	270	kit of 2
0307027600	foldable strap	276	-	180	90	11×16	11×16	-	-	300	kit of 2
0307031000	foldable strap	310	-	200	100	11×16	11×16	-	-	335	kit of 2
0307039600	foldable strap	396	-	250	125	11×16	11×16	-	-	420	kit of 2



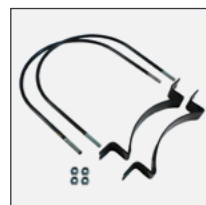
030406007



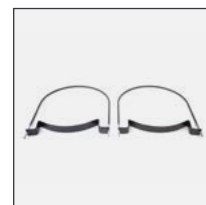
030406001



032400001S



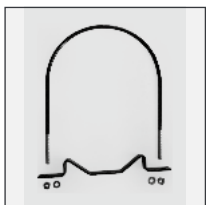
032753001S



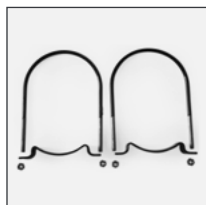
032500001S



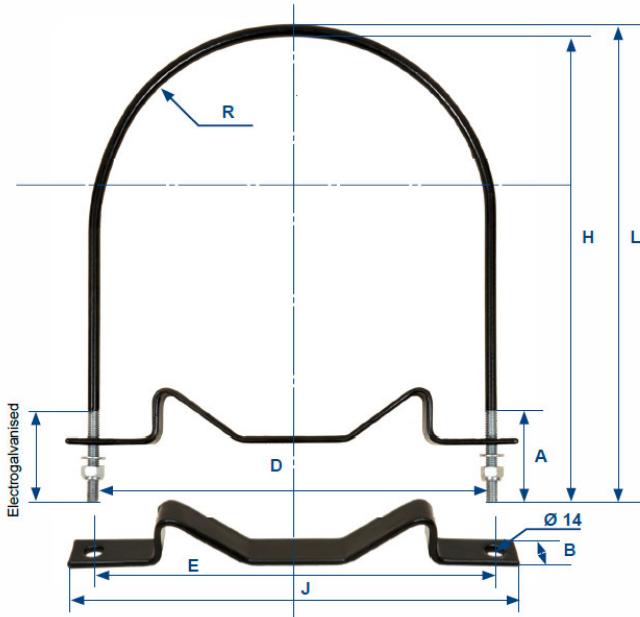
0307031000



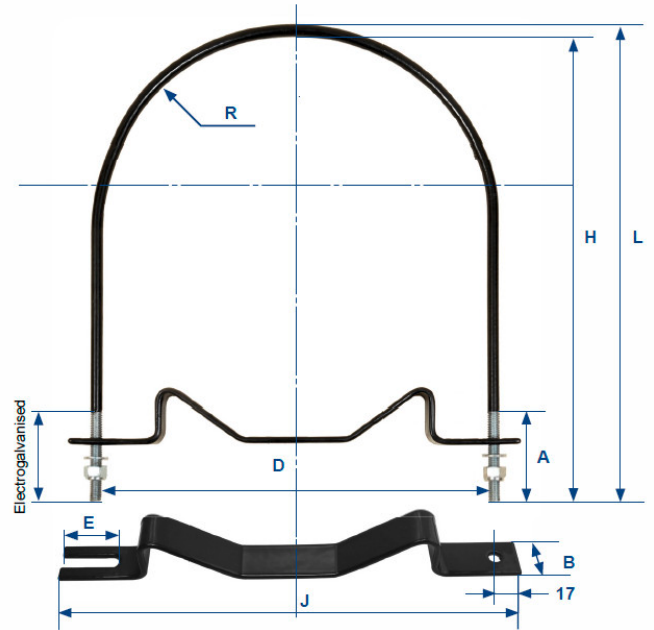
030406003



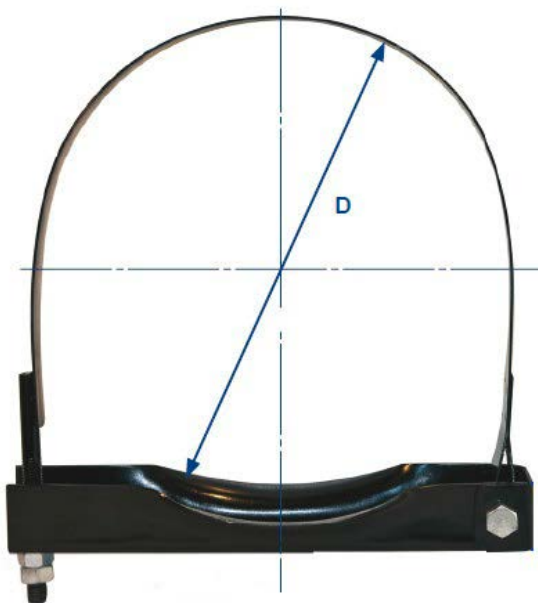
032200001S



V-shaped



Italian V-shaped



Foldable strap



Standard



AIR COILS AND AIR TUBES

Air coils	20
Air tubes (polyamide)	
PA12 PHL air tubes	21
PA12 HIPHL air tubes	22
PA1012 PHL air tubes	24
PA1012 PHL air tubes	25

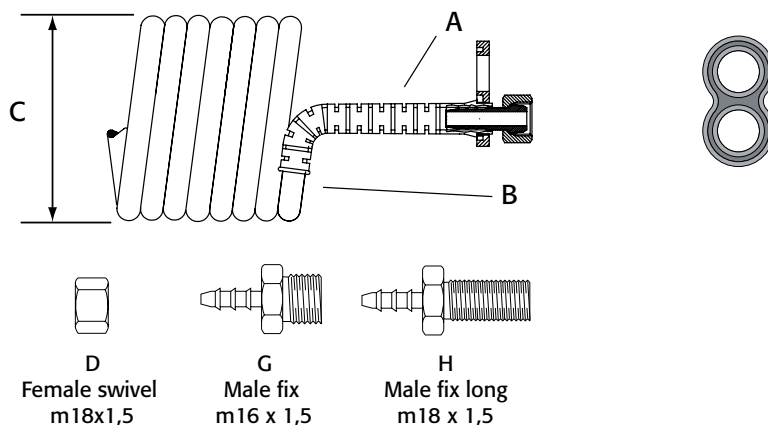


Air coils

Air coils

Air coils with plastic colour-coded tails satisfy DIN74323 safety parameters as tested by TÜV. The coils have been tested to 10,000 articulations (ISO 7375). The tube has been approved in accordance with DIN 74324 (black) or DIN 73378 (colour).

- › Working pressure: < 10 bars
- › Minimum burst pressure: 57 bars
- › Operating temperature : -40°C to +70°C



Part number	Material	Coil colour	A colour	B	C (mm)	Working length (m)	Thread 1	Thread 2	Fitting material	Hanger
0701112223131	PA12 PHL	black	black	12x9	94	4	G	H	iron zinc plated	c/w
0702112321331	PA12 PHL	red	black	12x9	105	4	G	H	iron zinc plated	c/w
0702112331331	PA12 PHL	red	black	12x9	105	6	G	H	iron zinc plated	c/w
0703112321331	PA12 PHL	yellow	black	12x9	105	4	G	H	iron zinc plated	c/w
0703112331331	PA12 PHL	yellow	black	12x9	105	6	G	H	iron zinc plated	c/w
033016009	PA12 HIPHL	black	yellow	12x9	105	4	D	D	iron zinc plated	c/w
033016509	PA12 HIPHL	black	red	12x9	105	4	D	D	iron zinc plated	c/w
0702212445522	PA12 HIPHL	red	red	-	115	4.72	F18x1.5	M16x1.5 L15MM	-	w/o
0703312445522	PA12 HIPHL	yellow	yellow	-	115	4.72	F18x1.5	M16x1.5 L15MM	-	w/o
032DMM96050	-	-	-	-	-	-	tube Ø: 12mm	M16M	steel	-



0701112223131



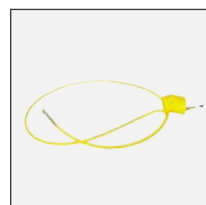
0702112331331



0703112331331



033016009



0703312445522



032DMM96050

PA12 PHL Y air tubes

PA12 high-pressure monolayer air tubes are produced in accordance with DIN 74324 (black tubes) for automotive braking applications.

Operating temperature

- › From -60° C to +130°C

How to use air tubes

- › Cut tube in increments equal to the depth
- › Insert tube into push-in fitting
- › Check that end of push-in fitting touches next depth mark

Tolerance for external diameter

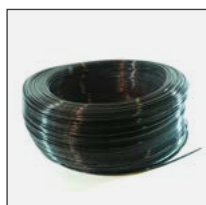
- › From 3 mm to 10 mm: ± 0.10 mm
- › From 11 mm to 20 mm: ± 0.15 mm

Our standard marking

- › Grau
- › DIN 74324 (black) or DIN 73378 (colour)
- › External diameter
- › Wall thickness
- › PA12 ... (detailed specification of material)
- › Manufacturer code (one letter + one number)
- › Made in (country of production)
- › Production information (production date / production lot)



Part number	Colour	Material	Diam ext (mm)	Diam int (mm)	Thickness (mm)	Minimum bending radius (mm)	Working pressure (bar)	Coil length (m)	Norm	Quantity (m/roll)
067006010H	black	PA12 PHL Y	6	4	1	35	36	1000	DIN74324	1000
067008010H	black	PA12 PHL Y	8	6	1	40	26	850	DIN74324	850
067010010H	black	PA12 PHL Y	10	8	1	60	20	500	DIN74324	500
067012015H	black	PA12 PHL Y	12	9	1.5	70	26	400	DIN74324	400
067015015H	black	PA12 PHL Y	15	12	1.5	100	20	250	DIN74324	250



067006010H



067008010H



067012015H

PA12 HIPHL air tubes

Part number	Colour	Material	Diam ext (mm)	Diam int (mm)	Thickness (mm)	Minimum bending radius (mm)	Working pressure (bar)	Coil length (m)	Norm	Quantity (m/roll)
0670410110	black	PA12 HIPHL	4	2	1	20	49	25	DIN74324	25
0670610110	black	PA12 HIPHL	6	4	1	35	29	25	DIN74324	25
0670610111	black	PA12 HIPHL	6	4	1	35	29	100	DIN74324	100
0670810110	black	PA12 HIPHL	8	6	1	40	21	25	DIN74324	25
0670810111	black	PA12 HIPHL	8	6	1	40	21	100	DIN74324	100
0670810118	black	PA12 HIPHL	8	6	1	40	21	850	DIN74324	850
0671010110	black	PA12 HIPHL	10	8	1	60	16	25	DIN74324	25
0671010111	black	PA12 HIPHL	10	8	1	60	16	100	DIN74324	100
0671012111	black	PA12 HIPHL	10	7.5	1.25	50	21	100	DIN74324	100
0671015110	black	PA12 HIPHL	10	7	1,5	45	-	25	DIN74324	25
0671015111	black	PA12 HIPHL	10	7	1,5	45	-	100	DIN74324	100
0671215110	black	PA12 HIPHL	12	9	1,5	70	21	25	DIN74324	25
0671215111	black	PA12 HIPHL	12	9	1,5	70	21	100	DIN74324	100
0671215114	black	PA12 HIPHL	12	9	1,5	70	21	400	DIN74324	400
0671515110	black	PA12 HIPHL	15	12	1,5	100	16	25	DIN74324	25
0671515111	black	PA12 HIPHL	15	12	1,5	100	16	100	DIN74324	100
0671620110	black	PA12 HIPHL	16	12	2	150	21	25	DIN74324	25
0671620111	black	PA12 HIPHL	16	12	2	150	21	100	DIN74324	100
0671820110	black	PA12 HIPHL	18	14	2	190	18	25	DIN74324	25
0671820111	black	PA12 HIPHL	18	14	2	190	18	100	DIN74324	100
0672020111	black	PA12 HIPHL	20	16	2	180	16	100	DIN74324	100



0670810110



0670810118



0671215110



0672020111

PA12 HIPHL air tubes

PA12 monolayer air tubes are produced in accordance with DIN 73378 (colour tubes) for automotive braking applications.

Part number	Colour	Material	Diam ext (mm)	Diam int (mm)	Thickness (mm)	Minimum bending radius (mm)	Working pressure (bar)	Coil length (m)	Norm	Quantity (m/roll)
0670610141	blue	PA12 HIPHL	6	4	1	35	29	100	DIN73378	100
0670610121i	yellow	PA12 HIPHL	6	4	1	35	29	100	DIN73378	100
0670610131i	red	PA12 HIPHL	6	4	1	35	29	100	DIN73378	100
0670610161	green	PA12 HIPHL	6	4	1	35	29	100	DIN73378	100
0670610171	natural	PA12 HIPHL	6	4	1	35	29	100	DIN73378	100
0670810121i	yellow	PA12 HIPHL	8	6	1	40	21	100	DIN73378	100
0670810131i	red	PA12 HIPHL	8	6	1	40	21	100	DIN73378	100
0670810141	blue	PA12 HIPHL	8	6	1	40	21	100	DIN73378	100
0670810161	green	PA12 HIPHL	8	6	1	40	21	100	DIN73378	100
0670810171	natural	PA12 HIPHL	8	6	1	40	21	100	DIN73378	100
0671215131i	red	PA12 HIPHL	12	9	1,5	70	21	100	DIN73378	100



0670610141



0670610121i



0670610131i



0670610161



0670610171



0670810121i



0670810141

PA1012 air tubes

PA1012 air tubes are made of an innovative polymer. They are similar in character to PA12 tubes and meet ISO 7628-2010 standards. PA1012 air tubes are available in PHL for low working pressure (10 bars) and in PHLy for the higher working pressure (12.5 bars) of trucks and buses. PA12 monolayer tubes are produced in accordance with DIN 74324 (black tubes) for automotive braking applications.

Part number	Colour	Material	Diam ext (mm)	Diam int (mm)	Thickness (mm)	Minimum bending radius (mm)	Working pressure (bar)	Coil length (m)	Norm	Category	Quantity (m/roll)
0670610119	black	PA1012 PHL	6	4	1	35	29	1300	ISO 7628	2	1300
0671210111	black	PA1012 PHL	12	8	2	80	29	100	ISO 7628	2	100
0671420111	black	PA1012 PHL	14	10	2	90	24	100	ISO 7628	2	100
0671515117	black	PA1012 PHL	15	12	1.5	100	16	250	ISO 7628	2	250
0671620112	black	PA1012 PHL	16	12	2	150	21	200	ISO 7628	2	250



0670610119

Part number	Colour	Material	Diam ext (mm)	Diam int (mm)	Thickness (mm)	Minimum bending radius (mm)	Working pressure (bar)	Coil length (m)	Norm	Category	Quantity (m/roll)
067008010131H	red	PA1012 PHL Y	8	6	1	40	26	850	ISO 7628	3	850
067008010141H	blue	PA1012 PHL Y	8	6	1	40	26	850	ISO 7628	3	850



067008010131H



067008010141H



FITTINGS

RTC push-in fittings

Adjustable elbow stud	28
Adjustable tee stud	29
Straight terminal	30
Swivel elbow stud - Union - Tee union	31
Tool	32

Push-in fittings

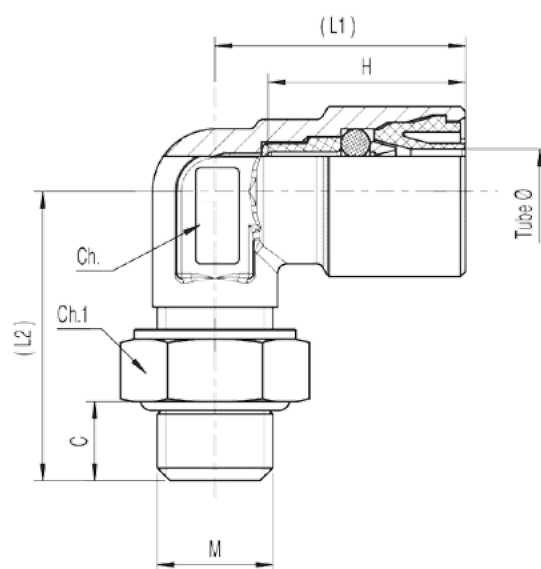
Straight terminal	33
Swivel	36
Swivel stud	37
Pivoted stud	38
Pivoted adaptor	41
Pivoted adaptor threaded	43
Bulkhead union	45
Stud bulkhead terminal	46
Threaded adaptor bulkhead	47
Bulkhead elbow	49
Accessories	50

RTC fittings

RTC fittings offer the highest standards in safety, quality and reliability. They have been designed for use with 11/12 polyamide (Rilsan) or elastomeric polyester (Hytrel) tubing in the pneumatic circuits of truck and trailer auxiliary and braking systems. RTC is a ready-to-use safety fitting: simply insert the tubing by hand into the fitting. Estimated assembly time is 70-80 percent faster than for traditional cutting ring fittings.

- › The tubing can be easily removed using a simple plastic tool
- › The tubing tolerance complies with ISO 7628 and DIN 74324/73378
- › The RTC operating heat range is -40°C to +100°C
- › The seal under these conditions has been designed specifically for the RTC O-Ring

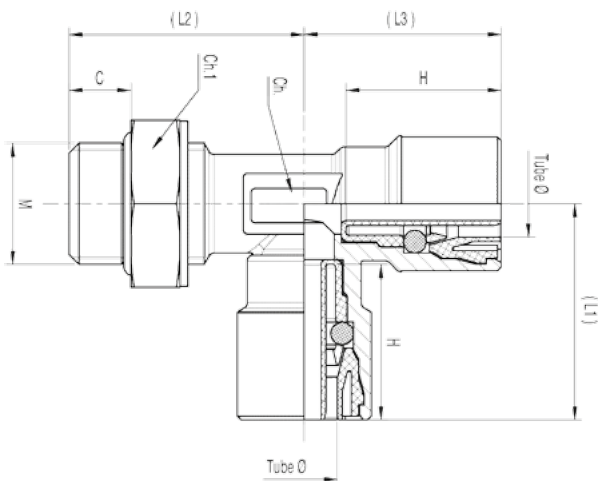
Part number	Type	Tube Ø (mm)	M	C (mm)	H (mm)	L1 (mm)	L2 (mm)	CH (mm)	CH1 (mm)
03280016400-RTC	adjustable elbow stud	6×4	M16×1.5	10	19.8	40.5	34	17	22
03281014400-RTC	adjustable elbow stud	6×4	M12×1.5	10	19.8	40.5	34	17	17
03281024400-RTC	adjustable elbow stud	8×6	M12×1.5	8	20.5	26	30	15	17
03281026400-RTC	adjustable elbow stud	8×6	M16×1.5	8	20.5	26	31	15	22
03281027400-RTC	adjustable elbow stud	8×6	M22×1.5	8	20.5	26	32.5	15	28
03281046400-RTC	adjustable elbow stud	10×7	M16×1.5	8	24	30	35	15	22
03281066400-RTC	adjustable elbow stud	10×8	M62×1.5	8	24	30	35	15	22
03281067400-RTC	adjustable elbow stud	10×8	M22×1.5	8	24	30	36.5	15	28
03281094600-RTC	adjustable elbow stud	12×9	M12×1.5	10	25	47	36	14	17
03281096600-RTC	adjustable elbow stud	12×9	M16×1.5	8	25	32	35	18	22
03281097600-RTC	adjustable elbow stud	12×9	M22×1.5	8	25	32	36.5	18	28



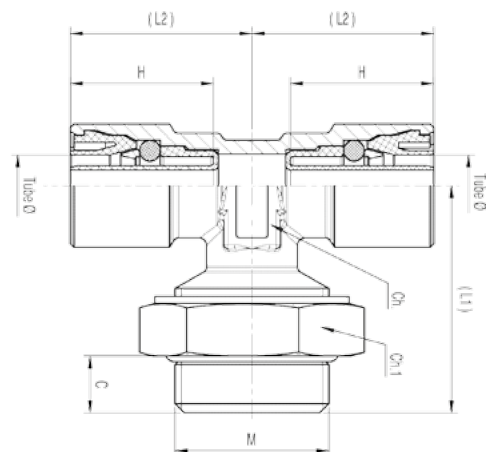
Adjustable elbow stud RTC

RTC - adjustable tee stud

Part number	Type	Tube Ø (mm)	M	C (mm)	H (mm)	L1 (mm)	L2 (mm)	L3 (mm)	CH (mm)	CH1 (mm)	Test point
03280327400-RTC	adjustable tee stud	8x6	M22x1.5	8	20.5	48.5	32.5	26	28	28	c/w
03282026400-RTC	adjustable tee stud	8x6	M16x1.5	8	20.5	28.5	31	26	15	22	w/o
03282097600-RTC	adjustable tee stud	12x9	M22x1.5	8	25	36	32.5	32	18	28	w/o
03282397600-RTC	adjustable tee stud	12x9	M22x1.5	8	25	52	32.5	32.5	28	28	c/w
03283024400-RTC	adjustable tee stud	8x6	M12x1.5	8	20.5	30	26	-	15	17	w/o
03283026400-RTC	adjustable tee stud	8x6	M16x1.5	8	20.5	31	26	-	15	22	w/o
318058001-RTC	adjustable tee stud	12x9	M16x1.5	8	25	52	31	31	22	22	c/w



03282026400-RTC



03283024400-RTC



03281024400-RTC



03281027400-RTC



03281097600-RTC



318058001-RTC



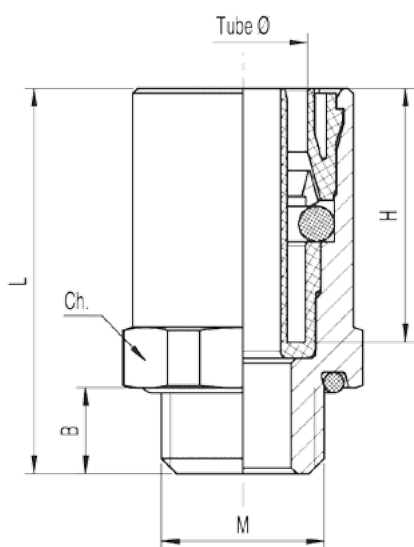
03283026400-RTC



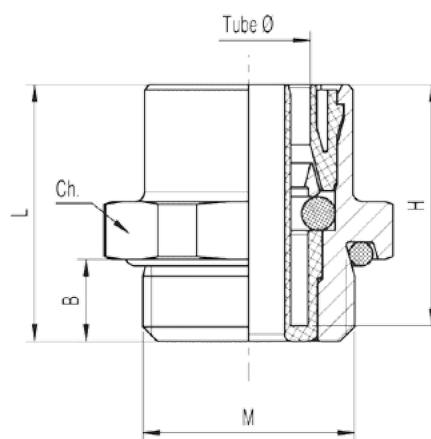
03282026400-RTC

RTC - straight terminal

Part number	Type	Tube Ø (mm)	M	B (mm)	H (mm)	L (mm)	CH (mm)	Type
03280011000-RTC	straight terminal	6x4	M10x1	7	19.8	31.3	18	A
03280014000-RTC	straight terminal	6x4	M12x1,5	8	19.8	31.3	18	A
03280015000-RTC	straight terminal	6x4	M14x1,5	8	19.8	31.3	20	B
03280016000-RTC	straight terminal	6x4	M16x1,5	8.5	19.8	23.5	22	B
03280017000-RTC	straight terminal	6x4	M22x1,5	8.5	19.8	23.5	28	B
0328001G/18000-RTC	straight terminal	6x4	G1/8	6	19.8	30.2	17	A
03280021000-RTC	straight terminal	8x6	M10x1	5.5	20.5	30.4	18	B
03280024000-RTC	straight terminal	8x6	M12x1,5	8	20.5	23.5	18	A
03280026000-RTC	straight terminal	8x7	M16x1,5	8.5	20.5	24.4	22	B
03280027000-RTC	straight terminal	8x8	M22x1,5	8.5	20.5	20.15	28	B
03280046000-RTC	straight terminal	10x7	M16x1,5	8.5	24	36.45	22	A
03280047000-RTC	straight terminal	10x8	M22x1,5	8.5	24	24.65	28	B
03280064000-RTC	straight terminal	10x8	M16x1,5	8	24	36.45	18	A
03280066000-RTC	straight terminal	10x9	M22x1,5	8.5	24	36.45	22	A
03280067000-RTC	straight terminal	10x10	M16x1,5	8.5	24	24.65	28	B
03280094000-RTC	straight terminal	12x9	M22x1,5	8	25	36	22	A
03280096000-RTC	straight terminal	12x10	M16x1,5	8.5	25	36	22	A
03280097000-RTC	straight terminal	12x11	M22x1,5	8.5	25	26.6	28	B



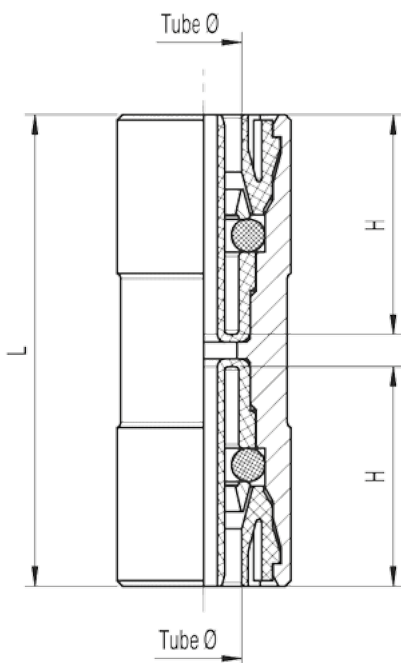
Type A



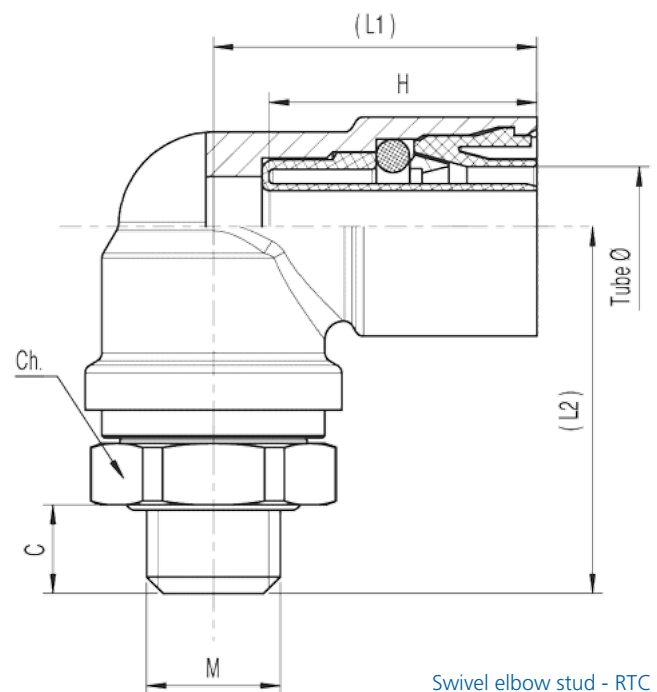
Type B

RTC - swivel elbow stud
RTC - union - RTC - tee union

Part number	Type	Tube \varnothing (mm)	M	C (mm)	H (mm)	L (mm)	L1 (mm)	L2 (mm)	CH (mm)
03281516400-RTC	swivel elbow stud	6x4	M16x1.5	8.5	19.8	-	26	34.5	22
03281524400-RTC	swivel elbow stud	8x6	M12x1.5	8	20.5	-	26	34.5	20
03281596600-RTC	swivel elbow stud	12x9	M16x1.5	8.5	25	-	32	34.5	22
03281597600-RTC	swivel elbow stud	12x9	M22x1.5	9	25	-	32	35.5	28
03285010400-RTC	union	6x4	-	-	19.8	38	-	-	-
03285020400-RTC	union	8x6	-	-	20.5	43.6	-	-	-
03285040400-RTC	union	10x7	-	-	24	50.6	-	-	-
03285060400-RTC	union	10x8	-	-	24	50.6	-	-	-
03285090600-RTC	union	12x9	-	-	25	54.5	-	-	-
03287010400-RTC	tee union	6x4	-	-	38	-	28.5	28.5	13
03287020400-RTC	tee union	8x6	-	-	43.6	-	28.5	26	13
03287060400-RTC	tee union	10x8	-	-	50.6	-	-	-	13
03287090600-RTC	tee union	12x9	-	-	54.5	-	36	32	13



Union - RTC



Swivel elbow stud - RTC

RTC - tool

Part number	Type	Tube Ø (mm)
RT006	RTC tool	6x4
RT008	RTC tool	8x6
RT012	RTC tool	12x9



RT006

Straight terminal

Push-in fittings

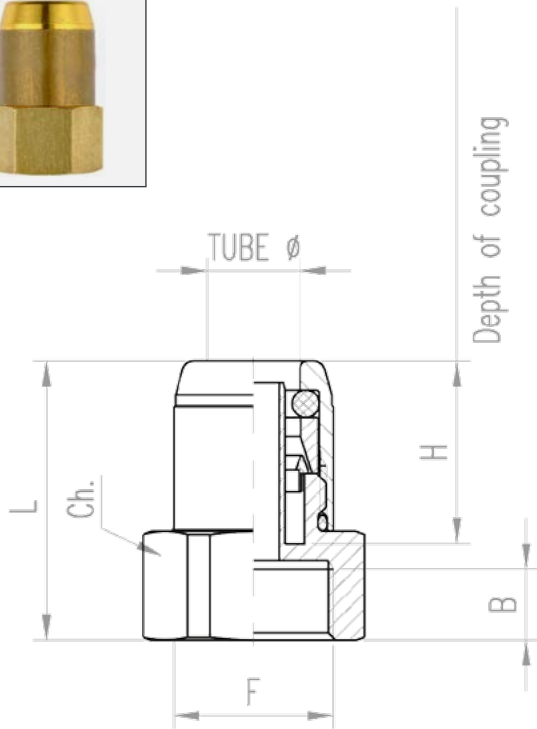
Push-in fittings have been designed for use with 11/12 polyamide (Rilsan) or elastomeric polyester (Hytrel) tubing in the pneumatic circuits of truck and trailer auxiliary and braking systems. Push-in fittings are ready-to-use safety fittings that do not require additional tools or equipment for installation. Simply insert the tubing into the fitting. Estimated assembly time is 70-80 percent faster than for traditional cutting ring fittings.

- › The tubing tolerance used complies with ISO standard 7628 and DIN standard 74324/73378
- › The operating heat range of the design mix specifically for the O-Ring fitting is +100°C / -40°C
- › The seal under these conditions is ensured by a design mix specifically for the O-Ring

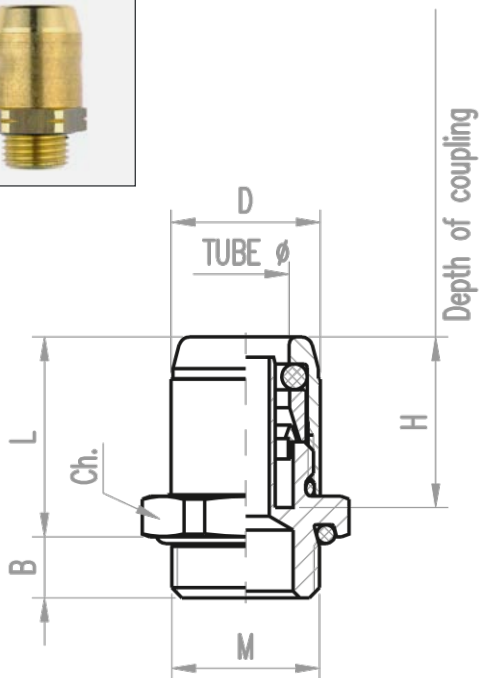
Part number	Type	Tube Ø (mm)	M	B (mm)	D (mm)	H (mm)	L (mm)	CH (mm)	Note
0328001G/18000	straight terminal	6×4	G 1/8	6	16	19.8	24.5	16	male
03280012000	straight terminal	6×4	12×1	8	16	19.8	24.5	18	male
03280015000	straight terminal	6×4	14×1.5	9	16	19.8	24.5	20	male
03280017000	straight terminal	6×4	22×1.5	9	16	19.8	25.5	28	male
03280021000	straight terminal	8×6	10×1	8	18	20.5	25.5	18	male
03280022000	straight terminal	8×6	12×1	8	18	20.5	25.5	18	male
03280025000	straight terminal	8×6	14×1.5	9	18	20.5	25.5	20	male
03280044000	straight terminal	10×7	12×1.5	8	20	24	28.5	20	male
03280045000	straight terminal	10×7	14×1.5	9	20	24	28.5	20	male
03280046000	straight terminal	10×7	16×1.5	8.5	20	24	28.5	22	male
03280047000	straight terminal	10×7	22×1.5	9	20	24	29	28	male
03280064000	straight terminal	10×8	12×1.5	8	20	24	28.5	20	male
03280065000	straight terminal	10×8	14×1.5	9	20	24	28.5	20	male
03280066000	straight terminal	10×8	16×1.5	8.5	20	24	28.5	22	male
03280067000	straight terminal	10×8	22×1.5	9	20	24	29	28	male
03280054000	straight terminal	10×7.5	12×1.5	8	20	24	28.5	20	male
03280055000	straight terminal	10×7.5	14×1.5	9	20	24	28.5	20	male
03280056000	straight terminal	10×7.5	16×1.5	8.5	20	24	28.5	22	male
03280057000	straight terminal	10×7.5	22×1.5	9	20	24	29	28	male

Part number	Type	Tube Ø (mm)	M	B (mm)	D (mm)	H (mm)	L (mm)	CH (mm)	Note
03280086000	straight terminal	12×8	16×1.5	8.5	22	25	29.5	22	male
03280087000	straight terminal	12×8	22×1.5	9	22	25	29.5	28	male
032800107000	straight terminal	15×12	22×1.5	9	28	27	31.5	28	male
032800108000	straight terminal	15×12	26×1.5	10	28	27	32.5	32	male
032800116000	straight terminal	16×12	16×1.5	8.5	28	27	33	28	male
032800117000	straight terminal	16×12	22×1.5	9	28	27	31.5	28	male
032800126000	straight terminal	18×14	16×1.5	8.5	30	27	33	30	male
032800127000	straight terminal	18×14	22×1.5	9	30	27	31.5	30	male
032800128000	straight terminal	18×14	26×1.5	10	30	27	32.5	32	male
032800137000	straight terminal	20×16	22×1.5	10	32	27	32.5	32	male

Part number	Type	Tube Ø (mm)	B (mm)	F (mm)	H (mm)	L (mm)	CH (mm)	Note
03280820600	straight terminal	8×6	10	16×1.5	20.5	34	22	female
03280840600	straight terminal	10×7	10	16×1.5	24	38	22	female
03280860600	straight terminal	10×8	10	16×1.5	24	38	22	female
03280890600	straight terminal	12×9	10	16×1.5	25	38.5	22	female
03280890700	straight terminal	12×9	11	22×1.5	25	39.5	28	female



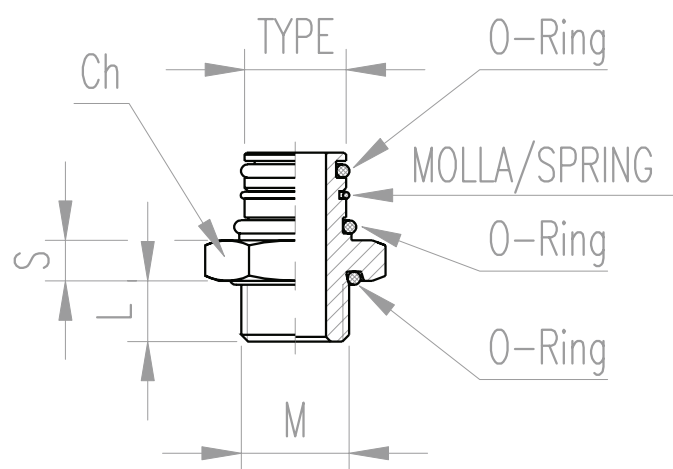
Straight female terminal



Straight male terminal

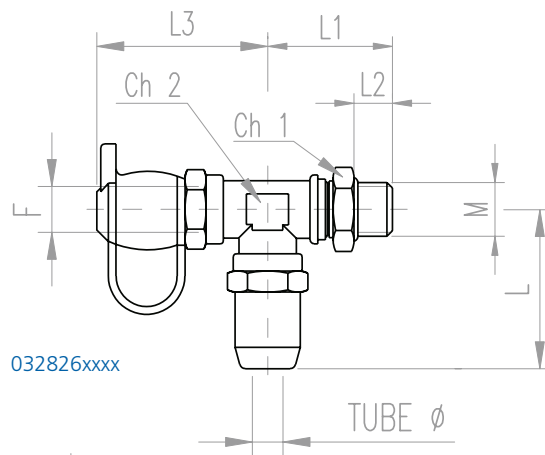
Swivel

Part number	Type	M	F (mm)	L (mm)	L1 (mm)	L2 (mm)	CH (mm)	S (mm)
032660A01000	swivel	10x1	-	8	-	-	18	5.5
032660A02000	swivel	12x1	-	8	-	-	18	5.5
032660A06000	swivel	16x1.5	-	8.5	-	-	22	5.5
032660B01/ 4GAS000	swivel	1/4 GAS	-	6	-	-	20	5.5
03266B001/ 8GAS000	swivel	1/8 GAS	-	7	-	-	20	5.5
032660B01000	swivel	10x1	-	8	-	-	20	5.5
032660B04000	swivel	12x1.5	-	8	-	-	20	5.5
032660B05000	swivel	14x1.5	-	9	-	-	20	5.5
032660B06000	swivel	16x1.5	-	8.5	-	-	22	5.5
032660B07000	swivel	22x1.5	-	9	-	-	29	6
032615A00400	swivel	-	12x1.5	18	-	-	19	-
032615B00600	swivel	-	16x1.5	20.5	-	-	22	-
032625A00400	swivel	-	12x1.5	18	-	-	19	-
032635A00400	swivel	-	12x1.5	18	-	-	19	-
032645B00600	swivel	-	16x1,5	20.5	17.5	14.5	22	-
032646B00600	swivel	-	16x1,5	20.5	17.5	14.5	22	-
032647B00600	swivel	-	16x1,5	20.5	17.5	14.5	22	-

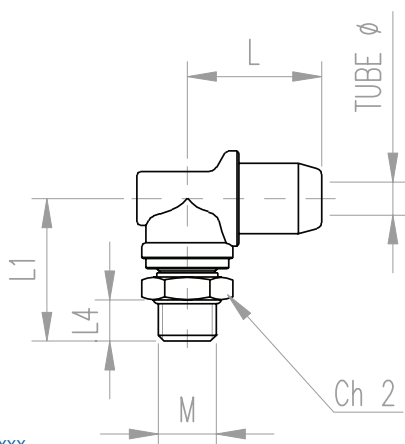


032660xxxx

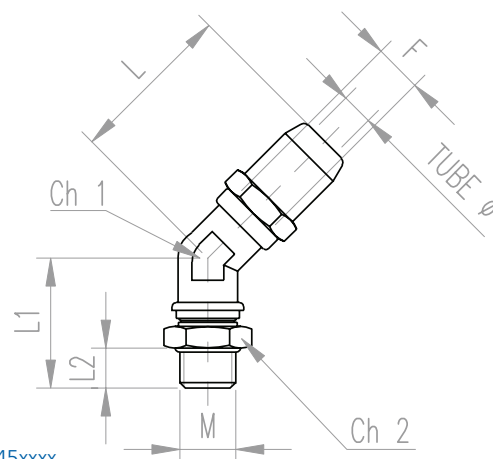
Part number	Type	Tube \varnothing (mm)	M	F (mm)	L (mm)	L1 (mm)	L2 (mm)	L3 (mm)	L4 (mm)	CH1 (mm)	CH2 (mm)
03281514400	swivel stud	6x4	12x1.5	12x1.5	32	31.5	42.5	32.5	8	19	18
03281516400	swivel stud	6x4	16x1.5	12x1.5	32	32	42.5	33	8.5	19	22
03281524400	swivel stud	8x6	12x1.5	12x1.5	32.5	31.5	43.5	32.5	8	19	18
03281526400	swivel stud	8x6	16x1.5	12x1.5	32.5	32	43.5	33	8.5	19	22
03281546400	swivel stud	10x7	16x1.5	12x1.5	35.5	32	46.5	33	8.5	19	22
03281594600	swivel stud	12x9	12x1.5	16x1.5	36	31.5	50	35	8	22	20
03281597600	swivel stud	12x9	22x1.5	16x1.5	36	33	50	36.5	9	22	29
032815117600	swivel stud	16x12	22x1.5	16x1.5	39.5	34.5	53.5	36.5	9	22	29
03284566600	swivel stud	10x8	16x1.5	16x1.5	49	35.5	8.5	-	-	22	22
03282696600	swivel stud c/w test point	12x9	16x1.5	16x1.5	50	35.5	8.5	48.5	-	22	22



032826xxxx



032815xxxx



032845xxxx



03271506600



03274106600

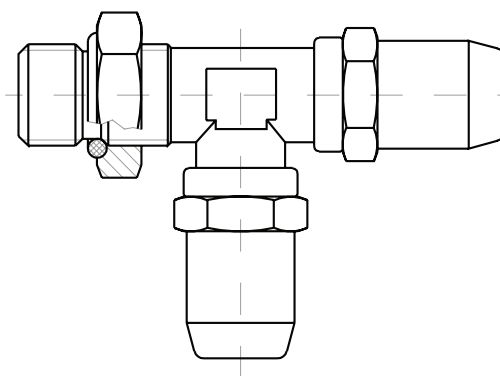
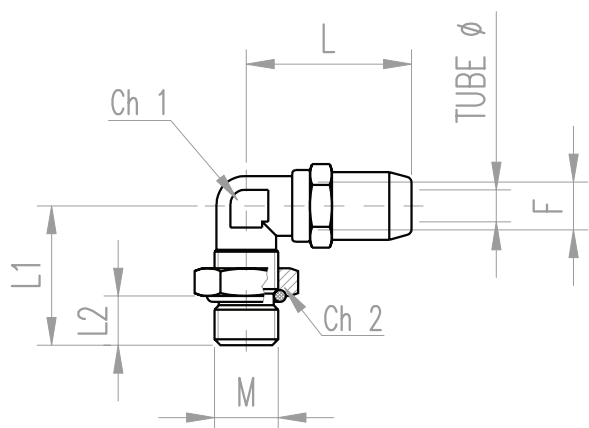


03281014400



03281016400

Part number	Type	Tube \varnothing (mm)	M	F (mm)	L (mm)	L1 (mm)	L2 (mm)	CH1 (mm)	CH2 (mm)
03281014400	pivoted stud	6x4	12x1.5	12x1.5	40	34	10	17	17
03281016400	pivoted stud	6x4	16x1.5	12x1.5	40	34	10	17	22
03281024400	pivoted stud	8x6	12x1.5	12x1.5	41	34	10	17	17
03282026400	pivoted stud	8x6	16x1.5	12x1.5	41	34	10	17	22
03282027400	pivoted stud	8x6	22x1.5	12x1.5	41	34	10	17	28
03281027400	pivoted stud	8x6	22x1.5	12x1.5	41	34	10	17	28
03281046400	pivoted stud	10x7	16x1.5	12x1.5	44	34	10	17	22
03281066400	pivoted stud	10x8	16x1.5	12x1.5	44	34	10	17	22
03281067400	pivoted stud	10x8	22x1.5	12x1.5	44	34	10	17	28
032810107600	pivoted stud	15x12	22x1.5	16x1.5	50.5	36	10	22	28
032810117600	pivoted stud	16x12	22x1.5	16x1.5	50.5	36	10	22	28



032810xxxx

032820xxxx



032810117600



03281067400



032810107600



03282027400

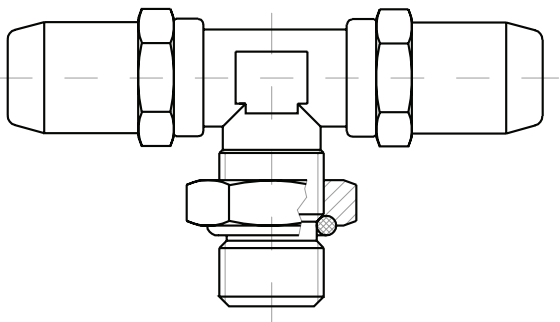


03281066400

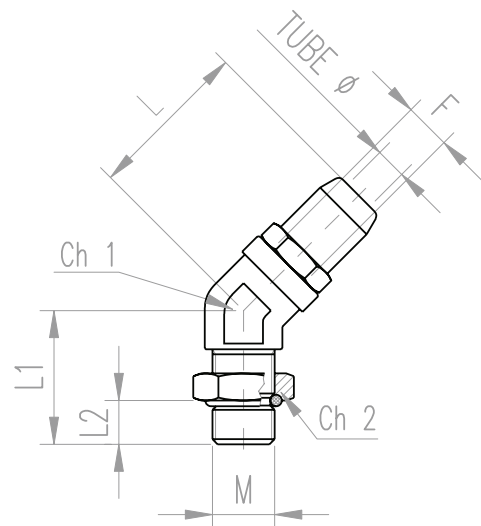


03282097600

Part number	Type	Tube \varnothing (mm)	M	F (mm)	L (mm)	L1 (mm)	L2 (mm)	CH1 (mm)	CH2 (mm)
032810127700	pivoted stud	18x14	22x1.5	22x1.5	56	41	10	24	28
03282097600	pivoted stud	12x9	22x1.5	16x1.5	47	36	10	22	28
032820117600	pivoted stud	16x12	22x1.5	16x1.5	50.5	36	10	22	28
03283024400	pivoted stud	8x6	12x1.5	12x1.5	41	34	10	17	17
03283027400	pivoted stud	8x6	22x1.5	12x1.5	41	34	10	17	28
03284097700	pivoted stud	12x9	22x1.5	22x1.5	49.5	39	10	24	28
032840116600	pivoted stud	16x12	16x1.5	16x1.5	53.5	36	10	22	22
032840117700	pivoted stud	16x12	22x1.5	22x1.5	51.5	39	10	24	28



032830xxxx



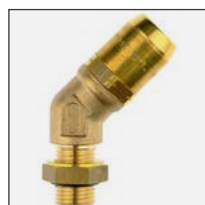
032840xxxx



03283027400



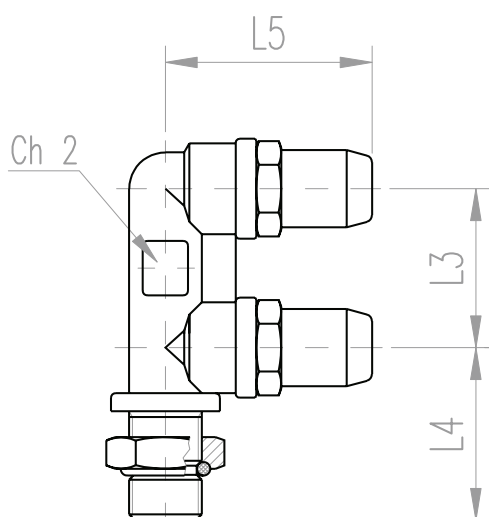
03283024400



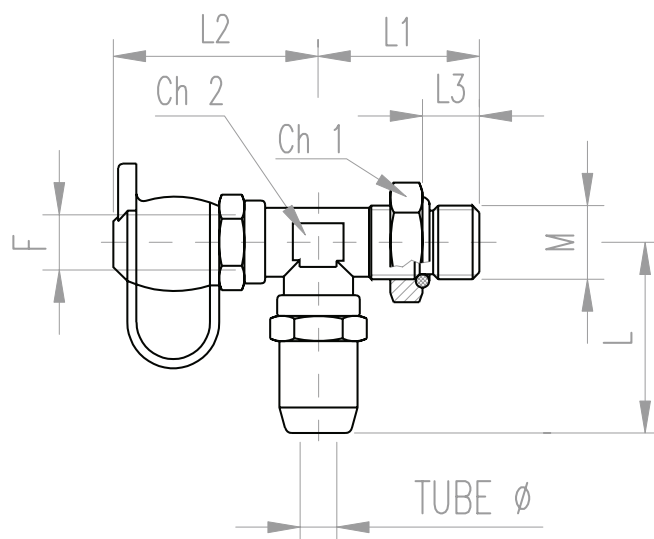
032840xxx

Part number	Type	Tube \varnothing (mm)	M	F (mm)	L (mm)	L1 (mm)	L2 (mm)	L3 (mm)	L4 (mm)	L5 (mm)	CH1 (mm)	CH2 (mm)
03284396600	pivoted stud	12x9	16x1.5	16x1.5	50	36	10	35	38	36.5	22	16

Part number	Type	Tube \varnothing (mm)	M	F (mm)	L (mm)	L1 (mm)	L2 (mm)	L3 (mm)	CH1 (mm)	CH2 (mm)
03282196600	pivoted stud c/w test point	12x9	16x1.5	16x1.5	47	36	45.5	10	22	22
03282327400	pivoted stud c/w test point	8x6	22x1.5	12x1.5	41	34	45.5	10	28	17
03282397600	pivoted stud c/w test point	12x9	22x1.5	16x1.5	47	36	45.5	10	28	22



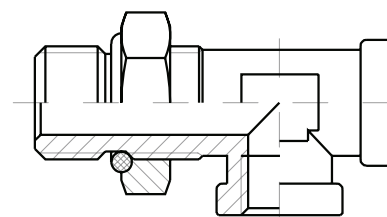
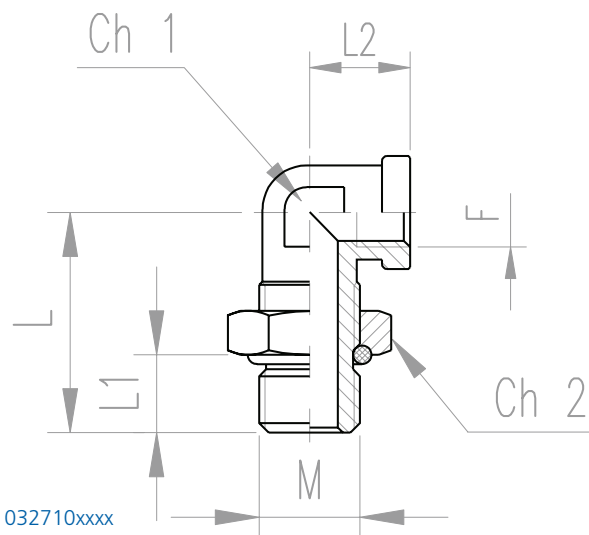
032843xxxx



032821xxxx

Pivoted adaptor

Part number	Type	M	F (mm)	L (mm)	L1 (mm)	L2 (mm)	CH1 (mm)	CH2 (mm)
03271001400	pivoted adaptor	10×1	12×1.5	31.5	9	15.5	17	14
03271003300	pivoted adaptor	12×1.5	12×1.5	34	10	15.5	17	17
03271006400	pivoted adaptor	16×1.5	12×1.5	34	10	15.5	17	22
03271007400	pivoted adaptor	22×1.5	12×1.5	34	10	15.5	17	28
03271004600	pivoted adaptor	12×1.5	16×1.5	36	10	17.5	22	17
03271006600	pivoted adaptor	16×1.5	16×1.5	36	10	17.5	22	22
03271007600	pivoted adaptor	22×1.5	16×1.5	36	10	17.5	22	28
03271007700	pivoted adaptor	22×1.5	22×1.5	41	10	24.5	24	28
03272007400	pivoted adaptor	22×1.5	12×1.5	34	10	15.5	17	28
03272004600	pivoted adaptor	12×1.5	16×1.5	36	10	17.5	22	17
03272006600	pivoted adaptor	16×1.5	16×1.5	36	10	17.5	22	22
03272007600	pivoted adaptor	22×1.5	16×1.5	36	10	17.5	22	28
03272007700	pivoted adaptor	22×1.5	22×1.5	41	10	24.5	24	28
0327200R1/8400	pivoted adaptor	R 1/8	12×1,5	23	-	15.5	17	-
03273004600	pivoted adaptor	12×1.5	16×1.5	36	10	17.5	22	17
03273006600	pivoted adaptor	16×1.5	16×1.5	36	10	17.5	22	22
03273007600	pivoted adaptor	22×1.5	16×1.5	36	10	17.5	22	28
03273007700	pivoted adaptor	22×1.5	22×1.5	41	10	24.5	24	28



03271003300



03271007400



03272006600



03272007400



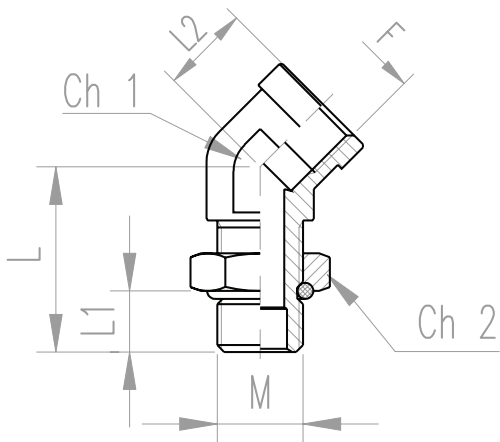
03272007600



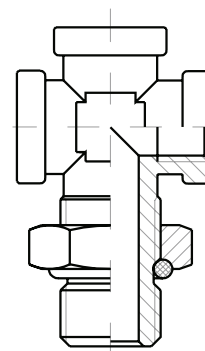
03272007700

Pivoted adaptor

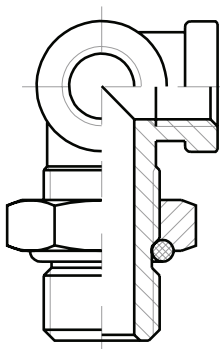
Part number	Type	M	F (mm)	L (mm)	L1 (mm)	L2 (mm)	L3 (mm)	L4 (mm)	L5 (mm)	CH1 (mm)	CH2 (mm)
03274006600	pivoted adaptor	16×1.5	16×1.5	37	10	19	38	35	20	22	22
03274106600	pivoted adaptor	16×1.5	16×1.5	37	10	19	38	35	20	22	22
03274107600	pivoted adaptor	22×1.5	16×1.5	36	10	19	38	35	20	22	28
03274206600	pivoted adaptor	16×1.5	16×1.5	37	10	19	38	35	20	22	22
03274207600	pivoted adaptor	22×1.5	16×1.5	36	10	19	38	35	20	22	28
03274306600	pivoted adaptor	16×1.5	16×1.5	37	10	19	38	35	20	22	22
03274307600	pivoted adaptor	22×1.5	16×1.5	36	10	19	38	35	20	22	28



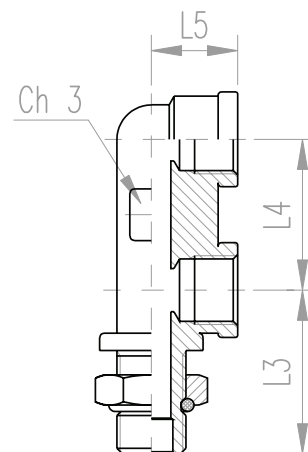
032740xxxx



032741xxxx



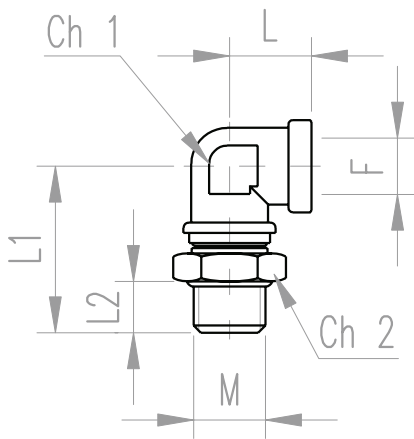
032742xxxx



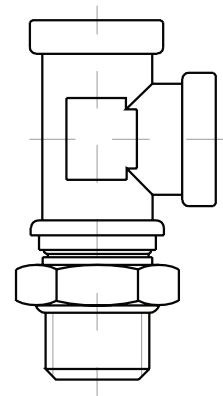
032743xxxx

Pivoted adaptor threaded

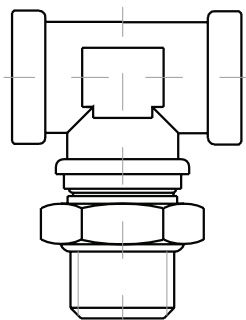
Part number	Type	M	F (mm)	L (mm)	L1 (mm)	L2 (mm)	CH1 (mm)	CH2 (mm)
03271506600	pivoted adaptor threaded	16x1.5	16x1.5	20.5	35.5	8.5	22	22
03272504400	pivoted adaptor threaded	12x1.5	12x1.5	18	32.5	8	19	18
03272506600	pivoted adaptor threaded	16x1.5	16x1.5	20.5	35.5	8.5	22	22
03272507600	pivoted adaptor threaded	22x1.5	16x1.5	20.5	36.5	9	22	29
03273504400	pivoted adaptor threaded	12x1.5	12x1.5	18	32.5	8	19	18
03273506600	pivoted adaptor threaded	16x1.5	16x1.5	20.5	35.5	8.5	22	22
03273507600	pivoted adaptor threaded	22x1.5	16x1.5	20.5	36.5	9	22	29
03274604600	pivoted adaptor threaded	12x1,5	16x1,5	20.5	35	8	22	20



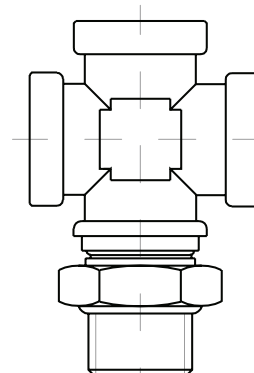
032715xxxx



032725xxxx



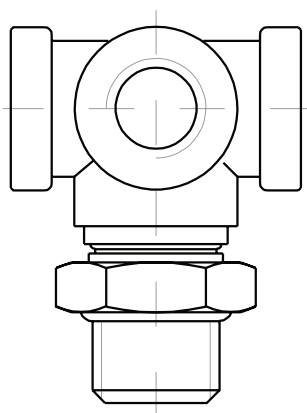
032735xxxx



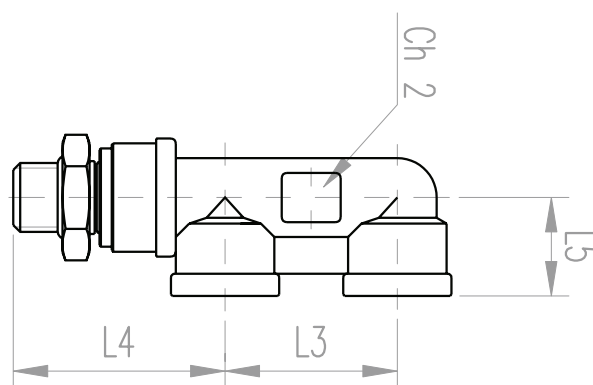
032746xxxx

Pivoted adaptor threaded

Part number	Type	M	F (mm)	L (mm)	L1 (mm)	L2 (mm)	L3 (mm)	L4 (mm)	L5 (mm)	CH1 (mm)	CH2 (mm)
03274904600	pivoted adaptor threaded	12×1.5	16×1.5	20.5	35	8	35	40	20	20	16
03274906600	pivoted adaptor threaded	16×1.5	16×1.5	20.5	35.5	8.5	35	40.5	20	22	16
03274907600	pivoted adaptor threaded	22×1.5	16×1.5	20.5	36.5	9	35	41.5	20	28	16
03275106600	pivoted adaptor threaded	16×1.5	16×1.5	20.5	35.5	8.5	35	40.5	20	22	16

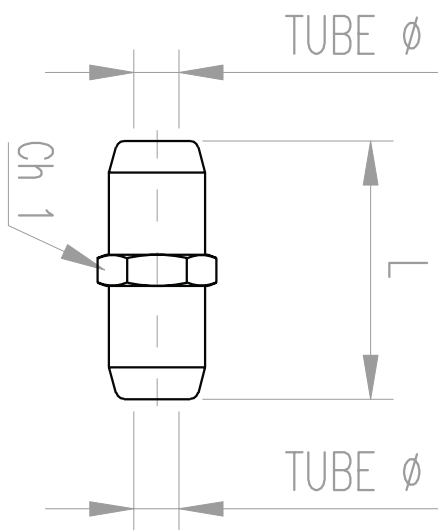


032749xxxx

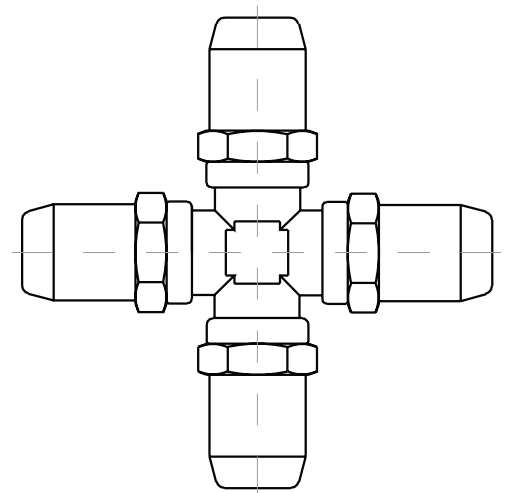


032751xxxx

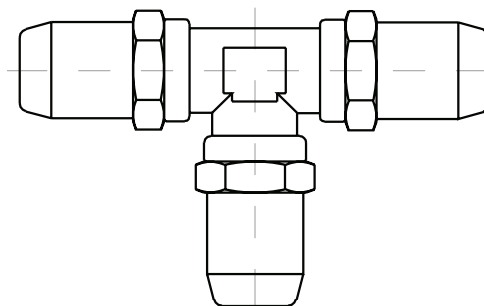
Part number	Type	F (mm)	L (mm)	L1 (mm)	CH1 (mm)	CH2 (mm)
03285030400	bulkhead union	12×1.5	45	43.5	18	19
03285040400	bulkhead union	12×1.5	51	46.5	20	19
03285060400	bulkhead union	12×1.5	51	46.5	20	19
03285070400	bulkhead union	12×1.5	51	46.5	20	19
032850110600	bulkhead union	16×1.5	58	53.5	28	22
032850120600	bulkhead union	16×1.5	58	53.5	30	22
03287010400	bulkhead union	12×1.5	44	42.5	18	19
03287020400	bulkhead union	12×1.5	45	43.5	18	19
03287060400	bulkhead union	12×1.5	51	46.5	20	19
03287090600	bulkhead union	16×1.5	53	50	22	22
03288020400	bulkhead union	12×1.5	45	43.5	18	19



032850xxx



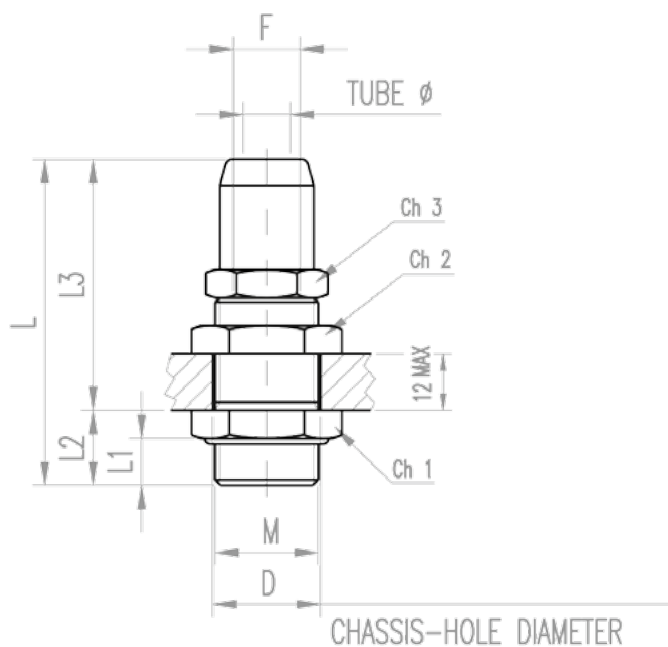
032880xxx



032870xxx

Stud bulkhead terminal

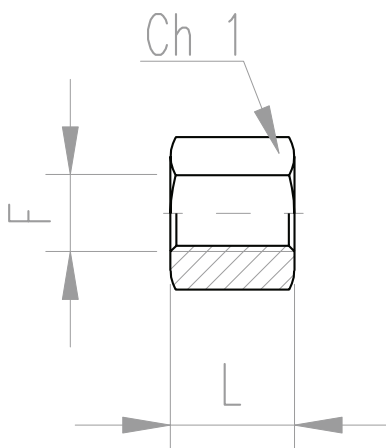
Part number	Type	Tube \varnothing (mm)	M	D (mm)	F (mm)	L (mm)	L1 (mm)	L2 (mm)	L3 (mm)	CH1 (mm)	CH2 (mm)	CH3 (mm)
03280326400	stud bulkhead terminal	8x6	16x1.5	19	12x1.5	60.5	9	15	45.5	22	24	18
03280327400	stud bulkhead terminal	8x6	22x1.5	19	12x1.5	60.5	9	15	45.5	28	24	18
03280367400	stud bulkhead terminal	10x8	22x1.5	19	12x1.5	63.5	9	15	48.5	28	24	20
03280396600	stud bulkhead terminal	12x9	16x1.5	23	16x1.5	69.5	8.5	16	53.5	28	28	22
03280397600	stud bulkhead terminal	12x9	22x1.5	23	16x1.5	68.5	9	15	53.5	28	28	22



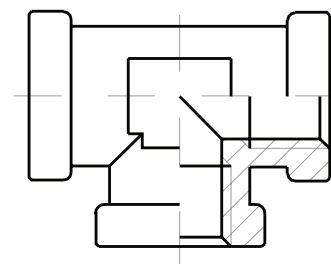
032803xxxx

Threaded adaptor bulkhead

Part number	Type	M	F (mm)	L (mm)	L1 (mm)	L2 (mm)	L3 (mm)	CH1 (mm)	CH2 (mm)
0327500600	threaded adaptor bulkhead	-	16×1,5	22	20.5	-	-	22	22
0327500700	threaded adaptor bulkhead	-	22×1,5	26	27.5	-	-	28	16
0327600400	threaded adaptor bulkhead	-	12×1,5	22	18	-	-	18	19
0327600600	threaded adaptor bulkhead	-	16×1,5	22	20.5	-	-	22	22
0327700400	threaded adaptor bulkhead	-	12×1,5	22	18	-	-	18	19
0327700500	threaded adaptor bulkhead	-	16×1,5	22	20.5	-	-	22	22
0327700700	threaded adaptor bulkhead	-	22×1,5	26	27.5	-	-	28	16
0327800500	threaded adaptor bulkhead	-	16×1,5	22	20.5	-	-	22	22
03276307600	threaded adaptor bulkhead	22×1,5	16×1,5	20.5	24	44	-	22	28
032703076100ML	threaded adaptor bulkhead	22×1,5	10×1	35	9	20	6	28	22
032703069400ML	threaded adaptor bulkhead	16×1,5	12×1,5	35	9	20	6	22	24
032703079400ML	threaded adaptor bulkhead	22×1,5	12×1,5	35	9	20	6	28	24
032703077600ML	threaded adaptor bulkhead	22×1,5	16×1,5	39	9	24	6	28	28

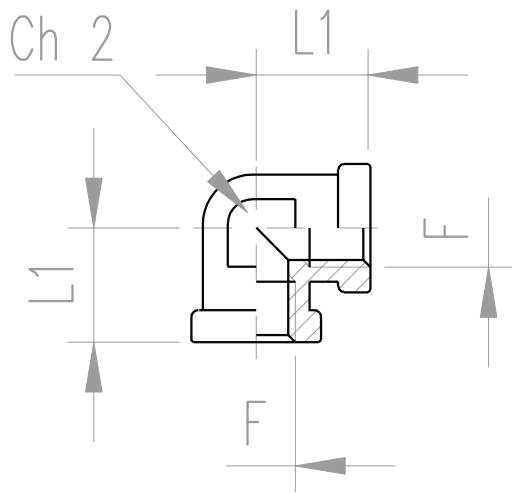


032750xxxx

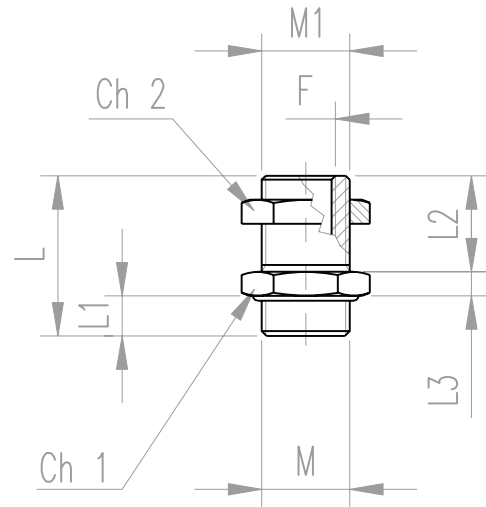


032770xxxx

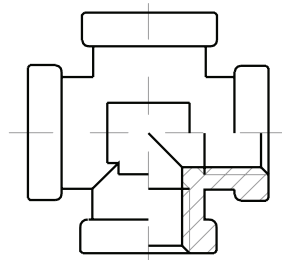
Threaded adaptor bulkhead



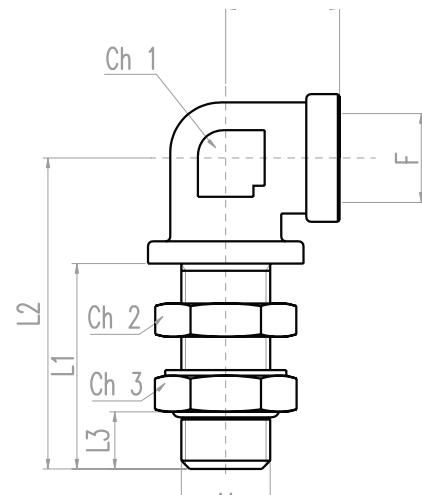
032760xxxx



032703xxxx



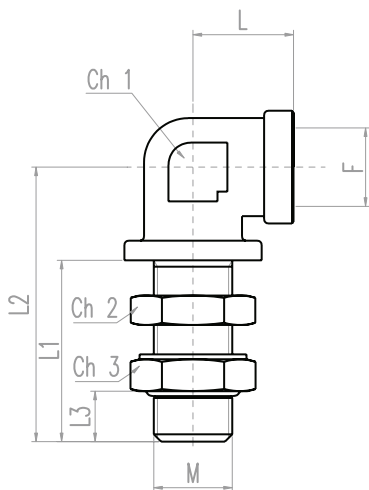
032780xxxx



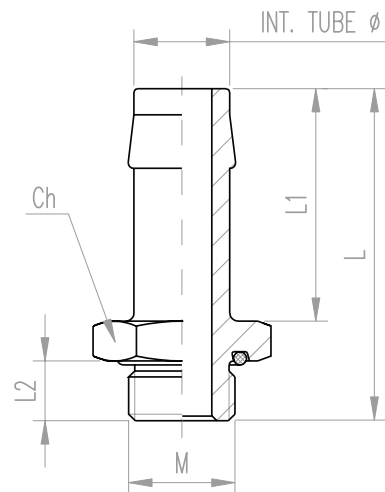
032763xxxx

Bulkhead elbow

Part number	Type	M	F (mm)	L (mm)	L1 (mm)	L2 (mm)	L3 (mm)	CH (mm)	CH1 (mm)	CH2 (mm)	CH3 (mm)	Note
03276306600	bulkhead elbow	16x1.5	16x1.5	20.5	37	56	10	-	22	22	22	male - female, 90°
032697176	bulkhead elbow	16x1.5	-	54.5	38	8.5	-	22	-	-	-	Ø 13mm, male - female, 90°
032697177	bulkhead elbow	22x1.5	-	51	35	10	-	28	-	-	-	Ø 13mm, male - female, 90°



032763xxxx



032697xxxx



03280397600

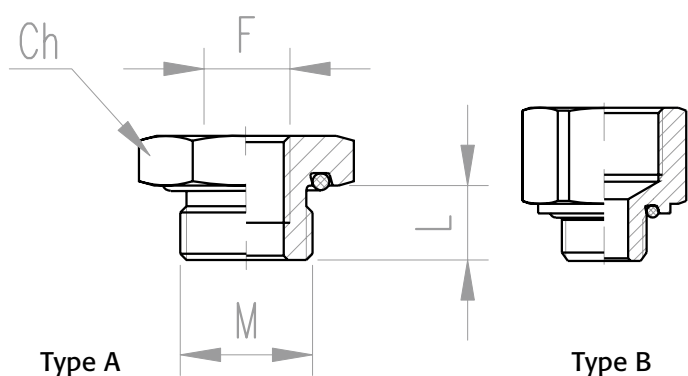


032697177



03276306600

Part number	Type	M	F (mm)	H (mm)	L (mm)	L1 (mm)	CH (mm)	Note
03269200600	accessories	-	16x1.5	-	-	-	22	test point 7.5
03269200700	accessories	-	22x1.5	-	-	-	28	test point 8.5
03269200600OR	accessories	13x3	-	-	-	-	-	-
03269200700OR	accessories	19x3	-	-	-	-	-	-
03269800600	accessories	-	16x1.5	6	-	-	22	-
03269501000	accessories	10x1	-	-	9	-	16	-
03269504000	accessories	-	-	-	9	-	18	-
03269506000	accessories	-	-	-	8.5	-	22	-
03269507000	accessories	-	-	-	8.5	-	28	-
03269604400	accessories	12x1.5	12x1.5	9	-	-	17	type B
03269606400	accessories	16x1.5	12x1.5	9	-	-	22	type A
03269607400	accessories	22x1.5	12x1.5	8.5	-	-	28	type A
03269607600	accessories	22x1.5	16x1.5	8.5	-	-	28	type A
03269606700	accessories	16x1,5	22x1,5	-	-	9	28	type B
03269601400	accessories	10x1	12x1,5	-	-	8	17	type B
03269604600	accessories	12x1,5	16x1,5	-	-	12	22	type B
03269605600	accessories	14x1,5	16x1,5	-	-	12	22	type B
03269604700	accessories	12x1,5	22x1,5	-	-	12	30	type B



03269200600



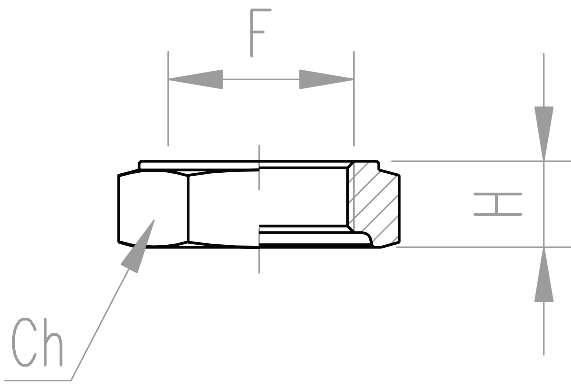
03269200700



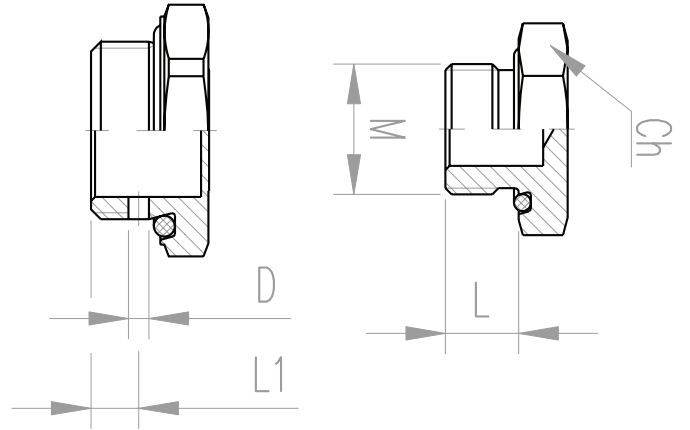
03269606400



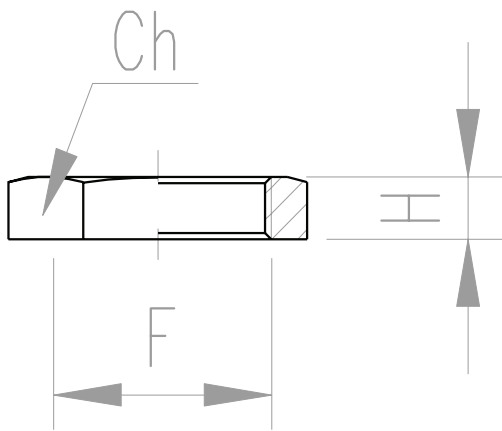
03269607400



032692xxxx

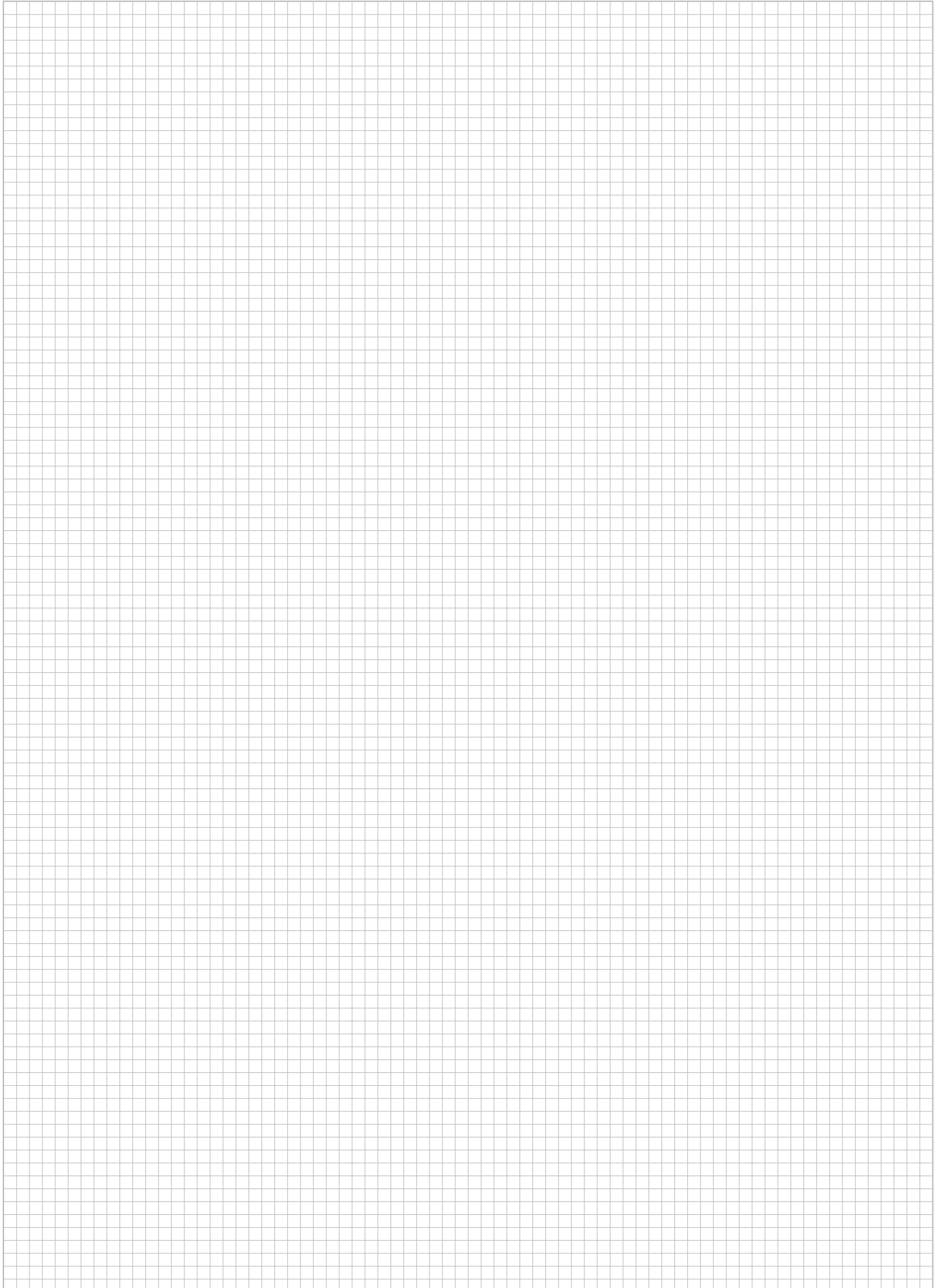


032695xxxx



032698xxxx

A large grid of graph paper for taking notes, consisting of a uniform pattern of small squares covering the majority of the page.



Haldex develops and provides reliable and innovative solutions focused on brake and air suspension products to the global commercial vehicle industry.

In 2015, the company had net sales of approximately 4.8 million SEK and employed a workforce of 2,140 people.



©2016, Haldex AB. This material may contain Haldex trademarks and third party trademarks, trade names, corporate logos, graphics and emblems which are the property of their respective companies. The contents of this document may not be copied, distributed, adapted or displayed for commercial purposes or otherwise without prior written consent from Haldex.

Innovative Vehicle Solutions

Austria

Haldex Wien Ges.m.b.H.
Vienna
Tel.: +43 1 8 69 27 97
Fax: +43 1 8 69 27 97 27
E-Mail: info.at@haldex.com

Australia

Haldex Brake Products Pty Ltd
Victoria
Tel.: +61 (0)3 9579 7070
Fax: +61 (0)418 170 879

Belgium

Haldex N.V.
Balegem
Tel.: +32 9 363 90 00
Fax: +32 9 363 90 09
E-Mail: info.be@haldex.com

Brazil

Haldex do Brasil Ind. E Com.
Ltda
São José dos Campos
Tel.: +55 12 3935 4000
Fax: +55 12 3935 4018
E-Mail: info.brasil@haldex.com

Canada

Haldex Ltd
Cambridge, Ontario
Tel.: +1 519 621 6722
Fax: +1 519 621 3924
E-Mail: info.ca@haldex.com

China

Haldex Vehicle Products Co. Ltd.
Suzhou
Tel.: +86 512 8885 5301
Fax: +86 512 8765 6066
E-Mail: info.cn@haldex.com

France

Haldex Europe SAS
Weyersheim
Tel.: +33 3 88 68 22 00
Fax: +33 3 88 68 22 09
E-Mail: info.eur@haldex.com

Germany

Haldex Brake Products GmbH
Heidelberg
Tel.: +49 6 221 7030
Fax: +49 6 221 703400
E-Mail: info.de@haldex.com

Hungary

Haldex Hungary Kft
Szentlőrincváta
Tel.: +36 29 631 400
Fax: +36 29 631 401
E-Mail: info.hu.eu@haldex.com

India

Haldex India Private limited
Nashik
Tel.: +91 253 66 99 501
Fax: +91 253 23 80 729

Italy

Haldex Italia Srl.
Lissone
Tel.: +39 039 47 17 02
Fax: +39 039 27 54 309
E-Mail: info.it@haldex.com

Korea

Haldex Korea Ltd.
Seoul
Tel.: +82 2 2636 7545
Fax: +82 2 2636 7548
E-Mail: info.hkr@haldex.com

Mexico

Haldex de Mexico S.A. De C.V.
Monterrey
Tel.: +52 81 8156 9500
Fax: +52 81 8313 7090

Poland

Haldex Sp. z.o.o.
Praszka
Tel.: +48 34 350 11 00
Fax: +48 34 350 11 11
E-Mail: info.pl@haldex.com

Russia

OOO "Haldex RUS"
Moscow
Tel.: +7 495 747 59 56
Fax: +7 495 786 39 70
E-Mail: info.ru@haldex.com

Spain

Haldex España S.A.
Granollers
Tel.: + 34 93 84 07 239
Fax: + 34 93 84 91 218
E-Mail: info.es@haldex.com

Sweden

Haldex Brake Products AB
Landskrona
Tel.: +46 418 47 60 00
Fax: +46 418 47 60 01
E-Mail: info.se@haldex.com

United Kingdom

Haldex Ltd.
Newton Aycliffe
Tel.: +44 1325 310 110
Fax: +44 1325 311 834
E-Mail: info.gbay@haldex.com

Haldex Brake Products Ltd.
MIRA Technology Park
Tel: +44 2476 400 300
Fax: +44 2476 400 301
E-Mail: info.gbre@haldex.com

USA

Haldex Brake Products Corp.
Kansas City
Tel.: +1 816 891 2470
Fax: +1 816 891 9447
E-Mail: info.us@haldex.com



www.haldex.com